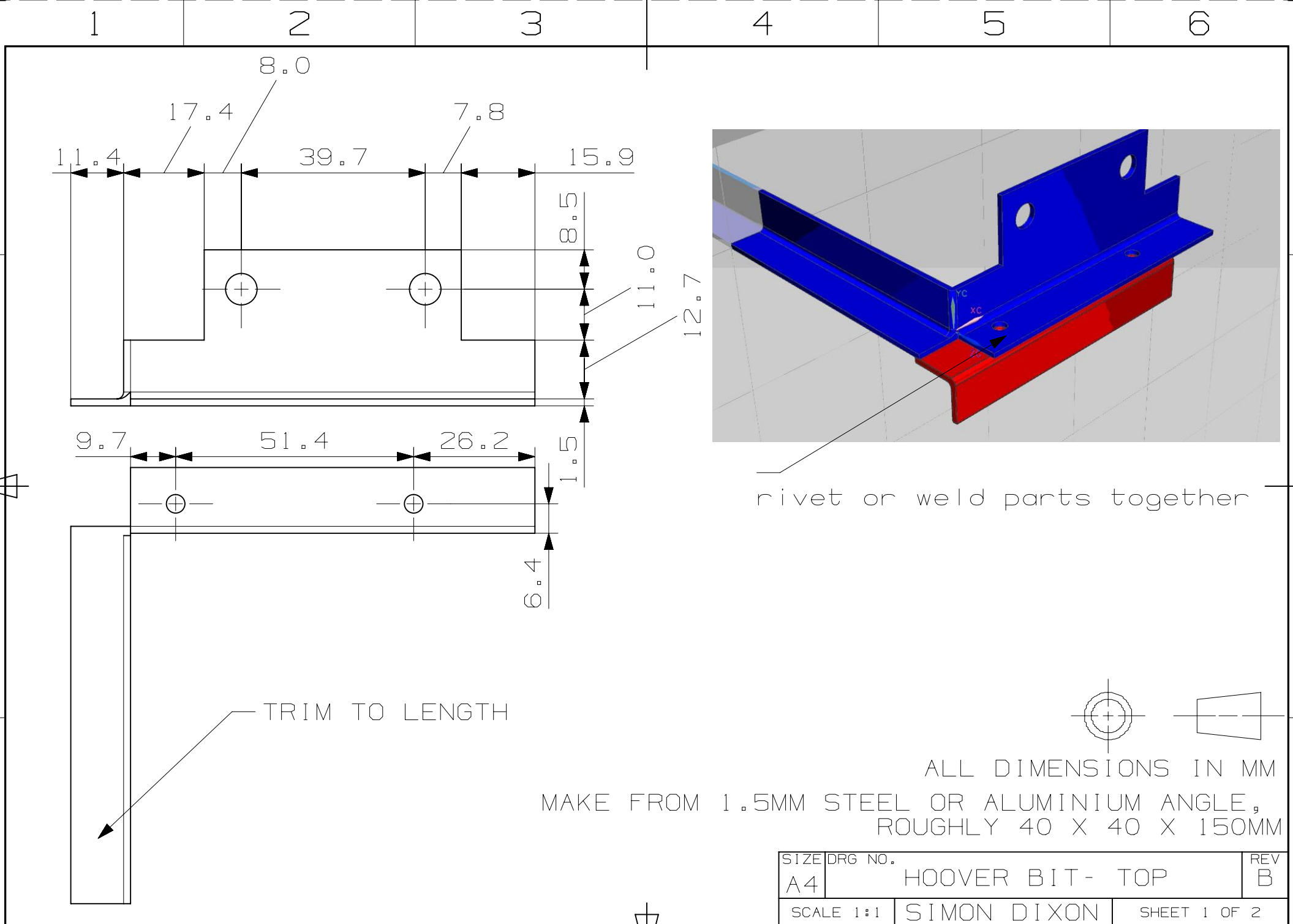


DRILL FOR FAN SHROUD BOLT AROUND HERE - FIT TO SHROUD AND USE SELF TAPPING SCREW.

ALL DIMENSIONS IN MM
3D CAD MASTER PART NAME :

SIZE	DRG NO.	REV
A4	HOOVER BIT BOTTOM	B
SCALE 1:1	SIMON DIXON	SHEET 2 OF 2



SIZE	DRG NO.	REV
A4	HOOVER BIT- TOP	B
SCALE 1:1	SIMON DIXON	SHEET 1 OF 2